



IS NiCon 43

Tactical Night Vision Monocular

Precision Optics | Combat-Ready | Trusted in Darkness

IS NiCon 43 – Tactical Night Vision Monocular

The IS NiCon 43 redefines night-time visibility with a powerful 43° wide-angle field of view, making it a top-tier choice for special forces, maritime surveillance, airborne security, and covert land operations. Designed with aerospace-grade materials and military-grade aluminum alloy. Equipped with Autogating technology, allows operation in any environment. Comply with Military standard MIL STD 810G, waterproof up to 1 meter deep for 1 hour.

Its integrated infrared illuminator allows map reading and object identification in pitch-black environments. Whether for law enforcement military missions, the IS NiCon 43 delivers exceptional situational awareness without compromise.

Image Intensifier Tube

- Model: PHOTONIS 4G
- Autogating Technology: YES
- Tube resolution 70 lp/mm, MTBF 15k hrs
- High Light Resolution: 50 lp/mm
- Auto Brightness Control Auto: YES
- Bright Source Protection: YES
- Low-halo image quality: 0.95 mm
- Gain: 2.10^{-5} lx at typical: 8,500 cd/m²/lx
- FOM: Min 1800
- Signal to noise: Min 28
- Display output: Black & White
- Cathode Sensitivity at 2,850 K: $\geq 700 \mu\text{A}/\text{lm}$

Optical Parameters

- Magnification 1x
- Field of View 43°
- Diopter Adjustment -6 to +4
- Focus Range 20 cm to ∞
- IR illuminator YES

Electrical Specification

- Battery Type 1x AA (1.5V–3.2V)
- Battery Life 48h+ (Lithium)
23h+ (Alkaline)
- Battery Indicator YES

IS NiCon 43

Detection Range

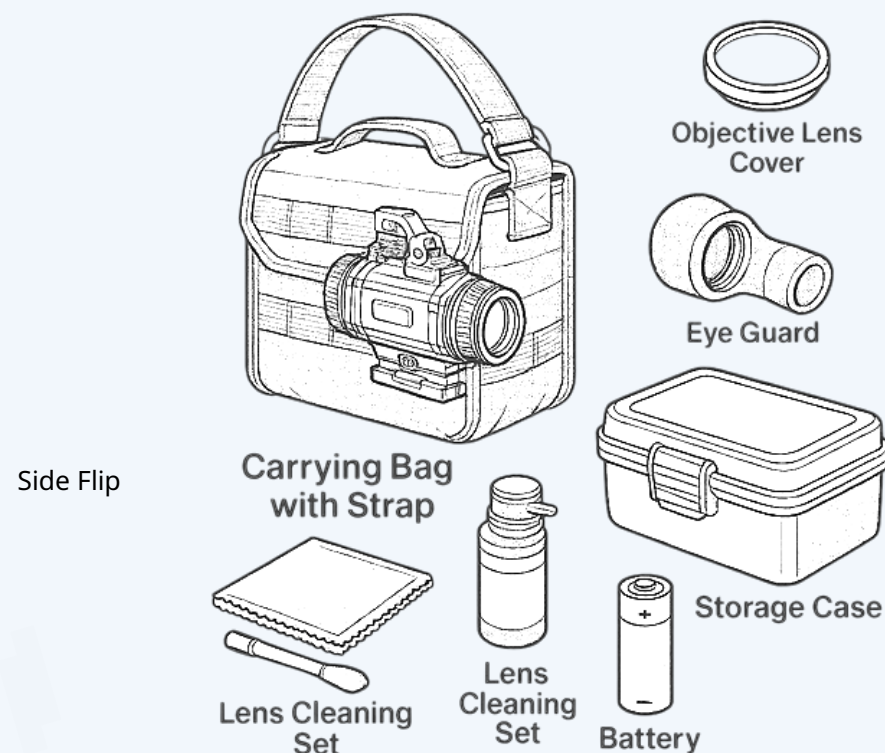
<i>Human</i>	Clear Starlight:	>110 m
	Full Moon:	>150 m
<i>Vehicle</i>	Clear Starlight:	>250 m
	Full Moon:	>500 m

Physical Characteristic

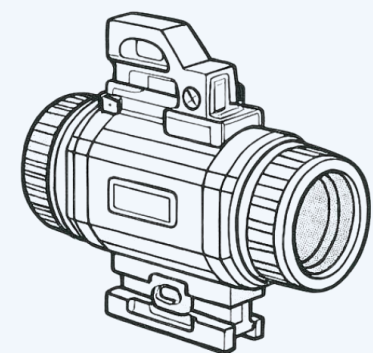
- Size: 96 x 54 x 76 mm
- Weight (with battery) <320 g

Standard Accessories

- 1x Carrying bag with strap
- 1x Objective lens cover
- 1x Eye guard
- 1x Storage case
- 1x Lens cleaning set
- 1x AA battery
- 1x Operation Manual
- 1x Maintenance Manual



OPERATION & MAINTENANCE MANUAL



Mounting & Integration

MIL-STD-1913 Picatinny Rail systems, featuring a side-flip mounting design that allows for quick repositioning without interfering with other rail-mounted equipment.

The IS NiCon 43 Fully compatible with tactical helmet mounting systems. When the device is moved away from the eyes, it automatically powers off, and when lowered back into the operational position, it automatically powers on, activated by the built-in magnetic switch mechanism.